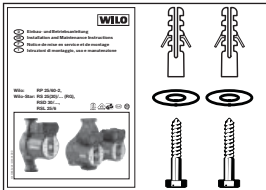
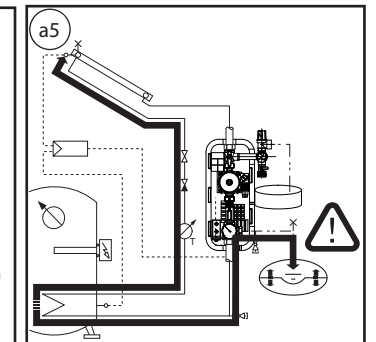
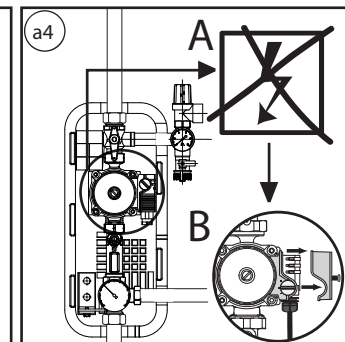
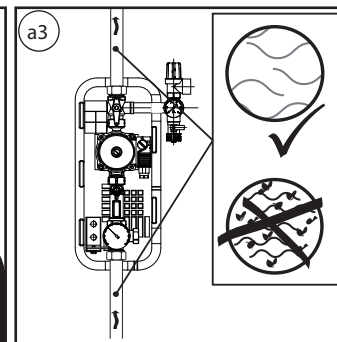
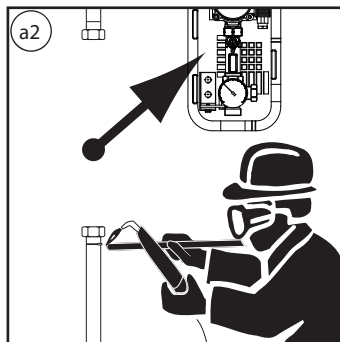
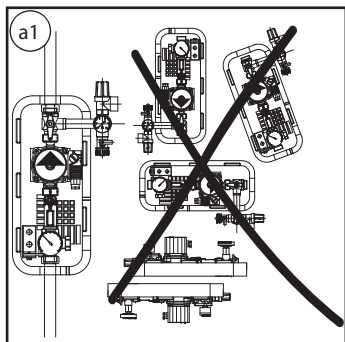


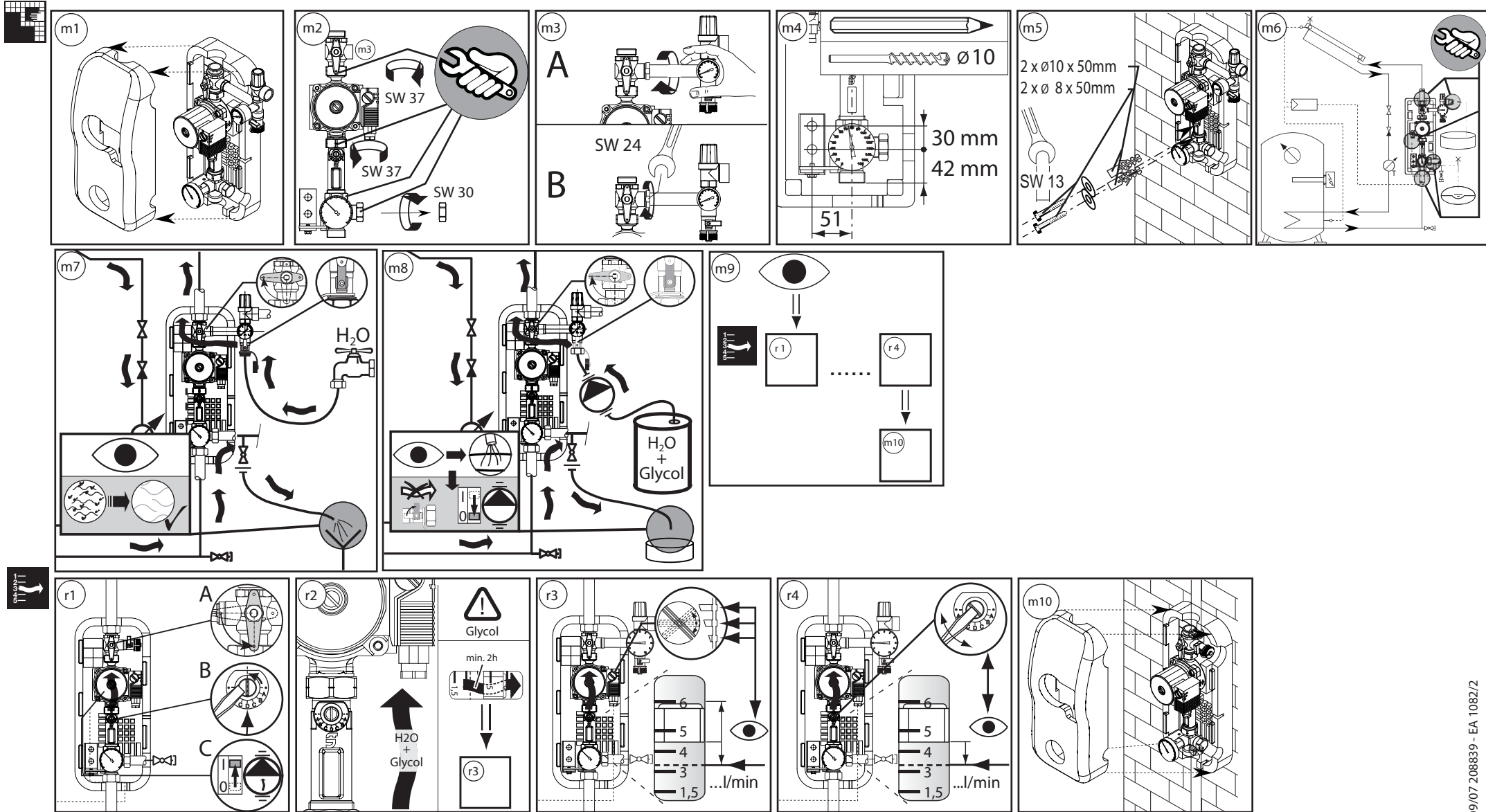
+



TB	110°C*	
PB	8 bar	

\* → Pump instructions





· Subject to modifications